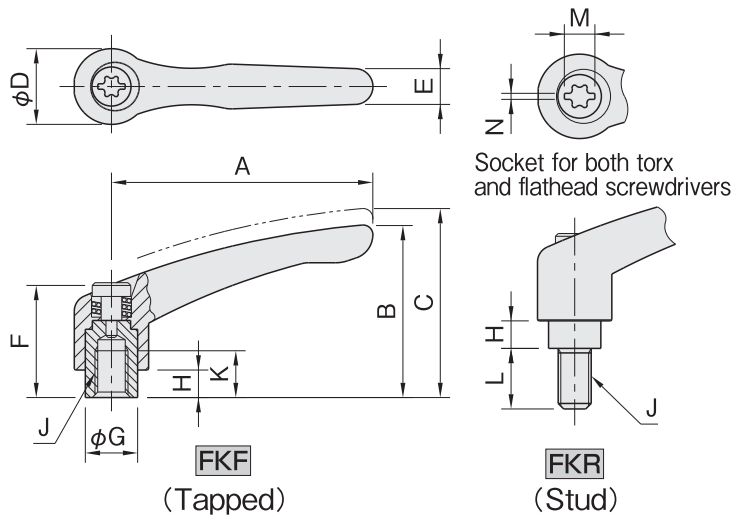
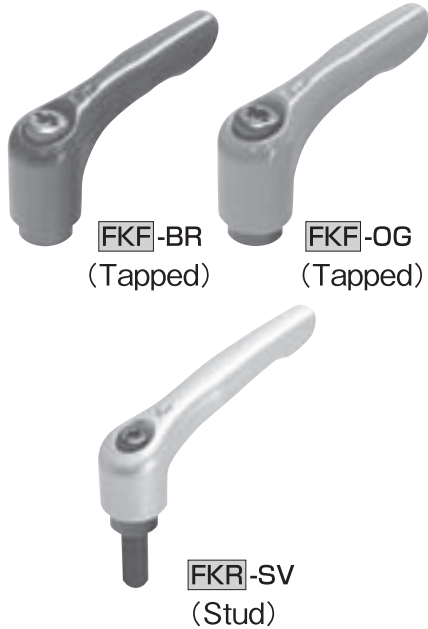




# FKF / FKR METAL ADJUSTABLE HANDLES



Note : For thread length(L) of 70mm or more, effective thread length is 60mm.

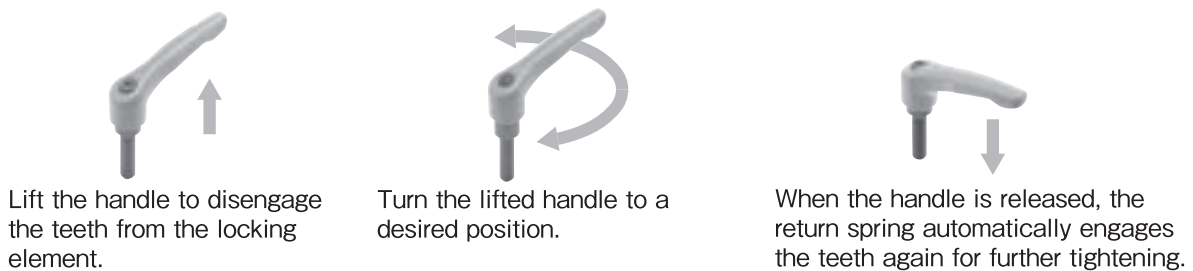
Type	Handle	Locking Element
FKF	Die-cast zinc(ZDC1) Painted	Steel(SUM22L) Black oxide
FKR	Black, orange or silver	finish

Size	No. of Teeth	A	B	C	D	E	F	G	H	J	M	N	Screwdriver Size	
													Flathead	Torx
FKF	5	16	40	31	34	14	7	24.5	10	4	5.5	1	ϕ5.5	T20
	6													
FKF	8	20	65	42.5	45.5	19	9.5	28.5	13.5	6.5	7.5	1.5	ϕ7 (ϕ6)	T27
FKR	10	22	80	54.5	58.5	22	11	37	16	10				
	12	24	95	63	67.5	27.5	13	43	19	12				
FKR	16	26	110	73	77.5	32	15	49	23	12				

## FKF (Tapped)

Clockwise Clamping			Counterclockwise Clamping			K	Weight (g)
Part Number			Part Number				
Black	Orange	Silver	Black	Orange	Silver		
FKF 5-BR	FKF 5-OG	FKF 5-SV	-	-	-	9	40
FKF 6-BR	FKF 6-OG	FKF 6-SV	FKF 6L-BR	FKF 6L-OG	FKF 6L-SV	12	90
FKF 8-BR	FKF 8-OG	FKF 8-SV	FKF 8L-BR	FKF 8L-OG	FKF 8L-SV	14	130
FKF10-BR	FKF10-OG	FKF10-SV	FKF10L-BR	FKF10L-OG	FKF10L-SV	17	210
FKF12-BR	FKF12-OG	FKF12-SV	-	-	-	23	330
FKF16-BR	FKF16-OG	FKF16-SV	-	-	-		

## How To Adjust Handle Position



**Clamping & Handles**



**FKR (Stud)**

Clockwise Clamping			Counterclockwise Clamping			L	Weight (g)
Part Number			Part Number				
Black	Orange	Silver	Black	Orange	Silver		
FKR 5x10-BR	FKR 5x10-OG	FKR 5x10-SV				10	40
FKR 5x15-BR	FKR 5x15-OG	FKR 5x15-SV				15	41
FKR 5x20-BR	FKR 5x20-OG	FKR 5x20-SV				20	42
FKR 5x25-BR	FKR 5x25-OG	FKR 5x25-SV	-	-	-	25	43
FKR 5x30-BR	FKR 5x30-OG	FKR 5x30-SV				30	45
FKR 5x40-BR	FKR 5x40-OG	FKR 5x40-SV				40	47
FKR 5x50-BR	FKR 5x50-OG	FKR 5x50-SV				50	49
FKR 6x10-BR	FKR 6x10-OG	FKR 6x10-SV	FKR 6x10L-BR	FKR 6x10L-OG	FKR 6x10L-SV	10	40
FKR 6x15-BR	FKR 6x15-OG	FKR 6x15-SV	FKR 6x15L-BR	FKR 6x15L-OG	FKR 6x15L-SV	15	41
FKR 6x20-BR	FKR 6x20-OG	FKR 6x20-SV	FKR 6x20L-BR	FKR 6x20L-OG	FKR 6x20L-SV	20	42
FKR 6x25-BR	FKR 6x25-OG	FKR 6x25-SV	FKR 6x25L-BR	FKR 6x25L-OG	FKR 6x25L-SV	25	43
FKR 6x30-BR	FKR 6x30-OG	FKR 6x30-SV	FKR 6x30L-BR	FKR 6x30L-OG	FKR 6x30L-SV	30	45
FKR 6x40-BR	FKR 6x40-OG	FKR 6x40-SV				40	47
FKR 6x50-BR	FKR 6x50-OG	FKR 6x50-SV	-	-	-	50	49
FKR 8x15-BR	FKR 8x15-OG	FKR 8x15-SV	FKR 8x15L-BR	FKR 8x15L-OG	FKR 8x15L-SV	15	100
FKR 8x20-BR	FKR 8x20-OG	FKR 8x20-SV	FKR 8x20L-BR	FKR 8x20L-OG	FKR 8x20L-SV	20	101
FKR 8x25-BR	FKR 8x25-OG	FKR 8x25-SV	FKR 8x25L-BR	FKR 8x25L-OG	FKR 8x25L-SV	25	102
FKR 8x30-BR	FKR 8x30-OG	FKR 8x30-SV	FKR 8x30L-BR	FKR 8x30L-OG	FKR 8x30L-SV	30	103
FKR 8x40-BR	FKR 8x40-OG	FKR 8x40-SV	FKR 8x40L-BR	FKR 8x40L-OG	FKR 8x40L-SV	40	110
FKR 8x50-BR	FKR 8x50-OG	FKR 8x50-SV				50	115
FKR 8x60-BR	FKR 8x60-OG	FKR 8x60-SV	-	-	-	60	120
FKR10x20-BR	FKR10x20-OG	FKR10x20-SV	FKR10x20L-BR	FKR10x20L-OG	FKR10x20L-SV	20	150
FKR10x25-BR	FKR10x25-OG	FKR10x25-SV	FKR10x25L-BR	FKR10x25L-OG	FKR10x25L-SV	25	153
FKR10x30-BR	FKR10x30-OG	FKR10x30-SV	FKR10x30L-BR	FKR10x30L-OG	FKR10x30L-SV	30	157
FKR10x40-BR	FKR10x40-OG	FKR10x40-SV	FKR10x40L-BR	FKR10x40L-OG	FKR10x40L-SV	40	162
FKR10x50-BR	FKR10x50-OG	FKR10x50-SV	FKR10x50L-BR	FKR10x50L-OG	FKR10x50L-SV	50	170
FKR10x60-BR	FKR10x60-OG	FKR10x60-SV				60	170
FKR12x25-BR	FKR12x25-OG	FKR12x25-SV				25	235
FKR12x30-BR	FKR12x30-OG	FKR12x30-SV				30	240
FKR12x40-BR	FKR12x40-OG	FKR12x40-SV				40	246
FKR12x50-BR	FKR12x50-OG	FKR12x50-SV				50	252
FKR12x60-BR	FKR12x60-OG	FKR12x60-SV				60	260
FKR12x70-BR	FKR12x70-OG	FKR12x70-SV				70 *)	270
FKR12x80-BR	FKR12x80-OG	FKR12x80-SV				80 *)	280
FKR12x90-BR	FKR12x90-OG	FKR12x90-SV	-	-	-	90 *)	290
FKR16x30-BR	FKR16x30-OG	FKR16x30-SV				30	380
FKR16x40-BR	FKR16x40-OG	FKR16x40-SV				40	390
FKR16x50-BR	FKR16x50-OG	FKR16x50-SV				50	405
FKR16x60-BR	FKR16x60-OG	FKR16x60-SV				60	420
FKR16x70-BR	FKR16x70-OG	FKR16x70-SV				70 *)	430
FKR16x80-BR	FKR16x80-OG	FKR16x80-SV				80 *)	440
FKR16x90-BR	FKR16x90-OG	FKR16x90-SV				90 *)	450

\*) Effective thread length is 60mm.

※ Available with stainless steel locking element or stud on request.

For quote request or ordering, add "SUS" at the end of the part number as exemplified below.

Ex. For tapped type, black : FKF-5BR-SUS

For stud type, orange : FKR 5x10-OG-SUS

- FKR\*\*x70-\*\*, FKR\*\*x80-\*\* and FKR\*\*x90-\*\* sizes will be supplied with the locking element and stud in two pieces (the stud is screwed and bonded in the locking element) instead of in one piece when the one-piece style runs short in our inventory. Following this change, the stud of every standard length(L dimension) will be fully threaded.